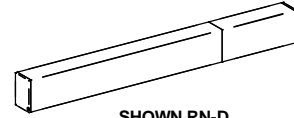


Mating Installation Instructions

Fixture: RN-D PURSUIT™

CONTROL BOX INSTALLATION pg. 2 & 3

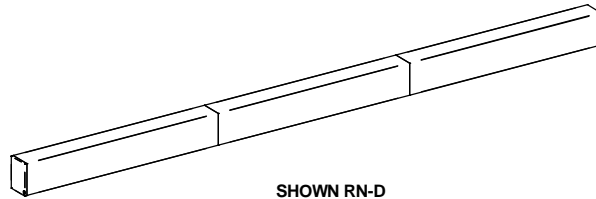


SHOWN RN-D

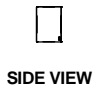


SIDE VIEW
PC OPT SHOWN

FIXTURES ROW INSTALLATION pg. 4, & 5

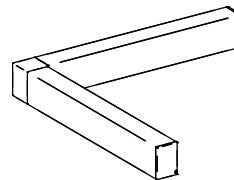


SHOWN RN-D

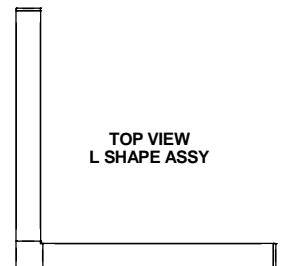


SIDE VIEW

CORNER INSTALLATION pg. 6, & 7
(L SHAPE OPTION)

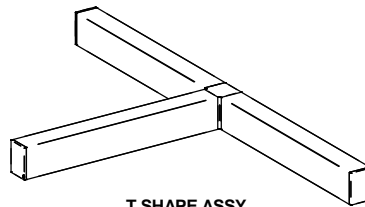


L SHAPE ASSY

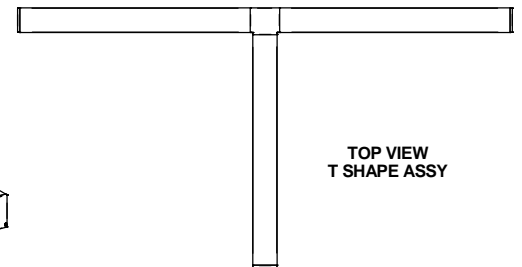


TOP VIEW
L SHAPE ASSY

CORNER INSTALLATION ... pg. 8
(T SHAPE OPTION)

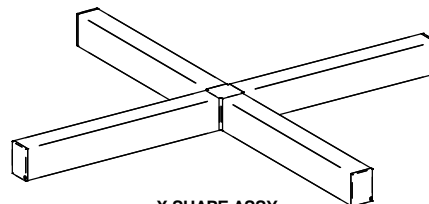


T SHAPE ASSY

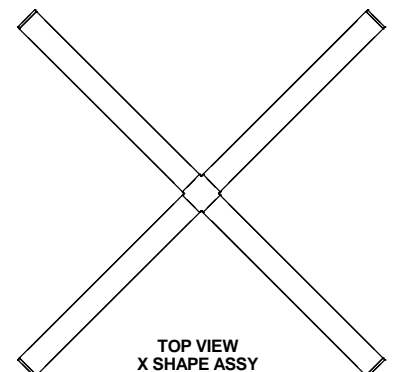


TOP VIEW
T SHAPE ASSY

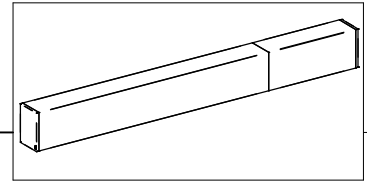
CORNER INSTALLATION . pg. 9
(X SHAPE OPTION)



X SHAPE ASSY



TOP VIEW
X SHAPE ASSY



CONTROL OPTION

Mating Installation Instructions

Fixture: RN-D PURSUIT™

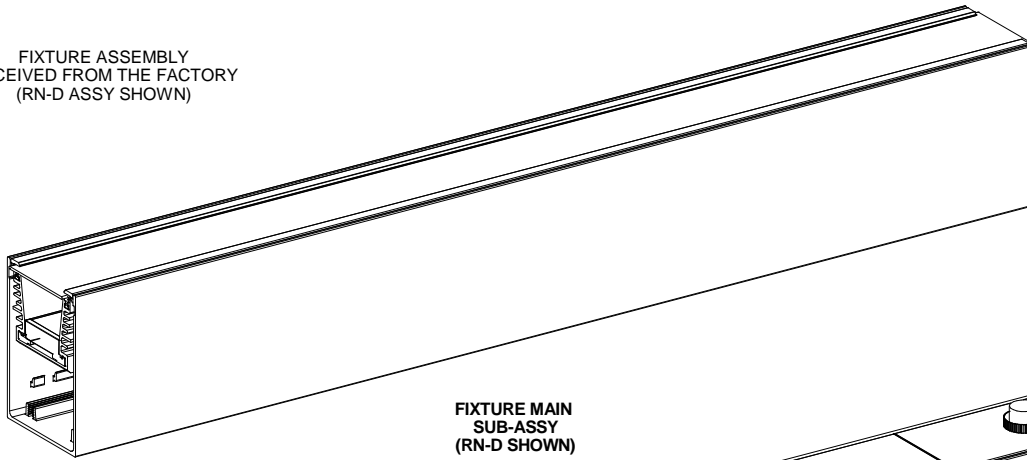


WARNING: Fixtures must be grounded in accordance with local codes or the National Electrical Code. Failure to do so may result in serious personal injury.

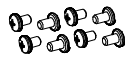
MAINTENANCE: A regularly scheduled maintenance program should be established to retain optimum light output and reduce heat retention. Dusting with a soft, clean, dry cloth is normally sufficient for the optics.

CAUTION: All wiring must be done by a qualified electrician. KEEP THE INSTRUCTIONS FOR FUTURE REFERENCE.

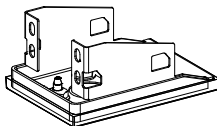
FIXTURE ASSEMBLY
RECEIVED FROM THE FACTORY
(RN-D ASSY SHOWN)



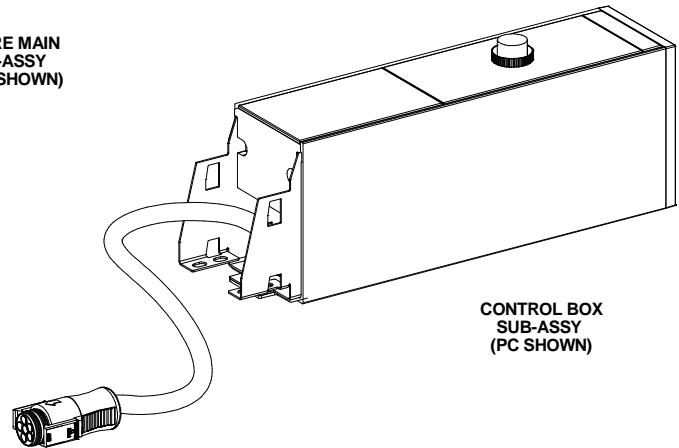
FIXTURE MAIN
SUB-ASSY
(RN-D SHOWN)



8X 10-24
SCREWS



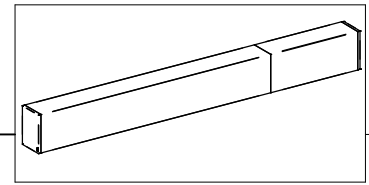
END CAP
SUB-ASSY



CONTROL BOX
SUB-ASSY
(PC SHOWN)

RECOMMENDED TOOLS (BY OTHERS):

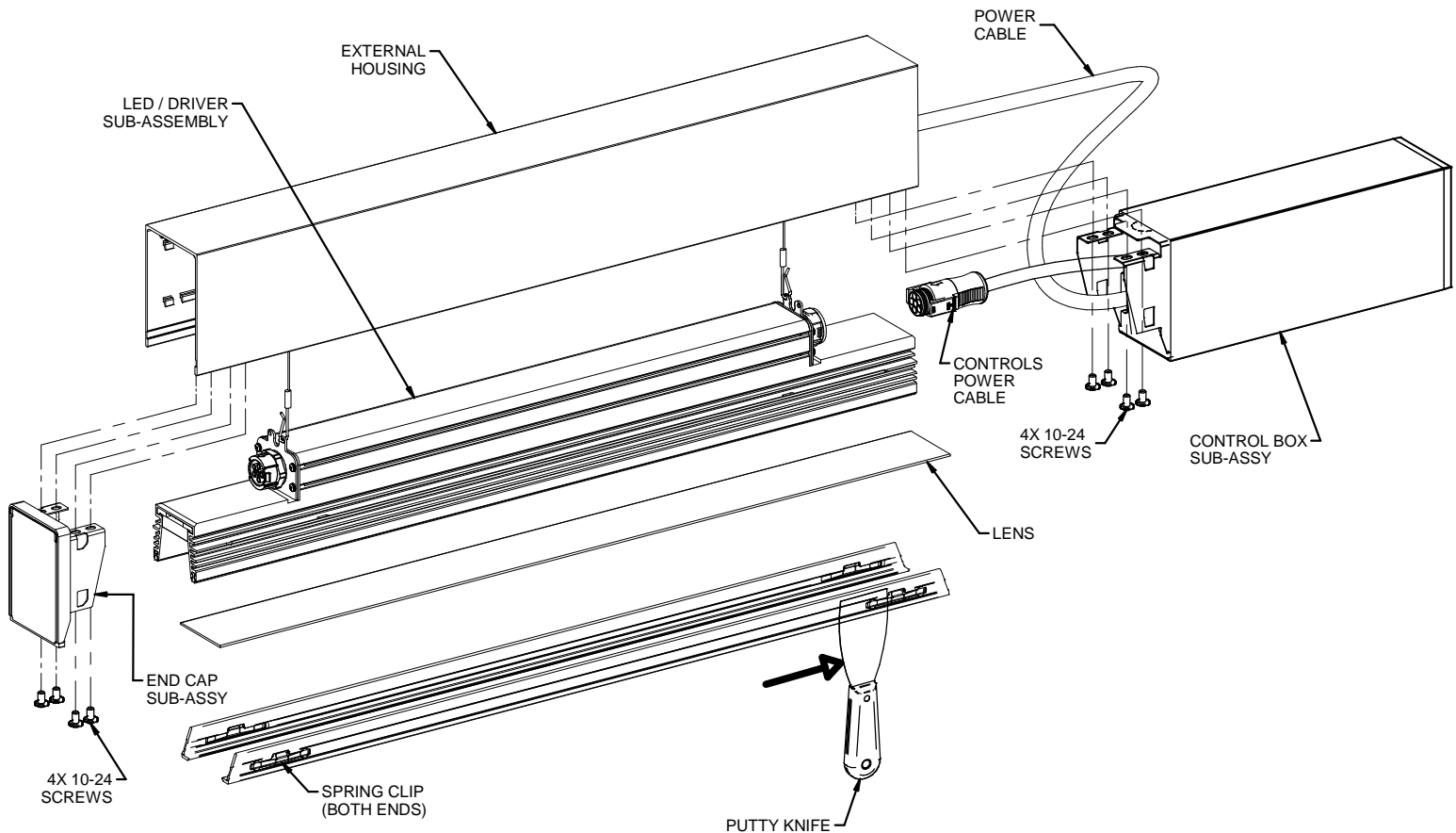
- * Screw drivers (Philip / Blade) #2
- * Wire Stripper
- * Putty knife



CONTROL OPTION

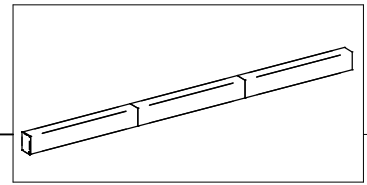
Mating Installation Instructions

Fixture: RN-D PURSUIT™



STEPS:

- 1) Turn off power to the unit and take proper safety precautions.
- 2) **For arm mounting option refer on the installation instructions # 93083863.**
- 3) **FIXTURE PREPARATION:**
 - a. Slide a putty knife under the side Latches to disengage the hidden spring clips and remove the Latches.
 - b. Pry the LED/DRIVER Sub-Assembly up, remove Safety Cables, disconnect Power Cables, and remove it from the External Housing.
- 4) Determine which side the Control Box sub-assembly to be located.
- 5) **EXTERNAL HOUSING PREPARATION:**
 - a. Install Endcap and Control Box sub-assembly to External Housing.
 - b. Pull line voltage wires thru and make connection to the fixture Power Cable.
 - c. Reconnect the Power Cable to the LED/DRIVER Sub-Assembly and reattach the Safety Cables.
 - d. Snap in the LED/DRIVER Sub-Assembly.
 - e. Connect the plug Power Cord to LED/DRIVER Sub-Assembly.
 - f. Insert the Lens and install the Latches to retain the Lens.
- 6) Turn on power and check for operation.
- 7) Installation complete.



FIXTURE MATING

Mating Installation Instructions

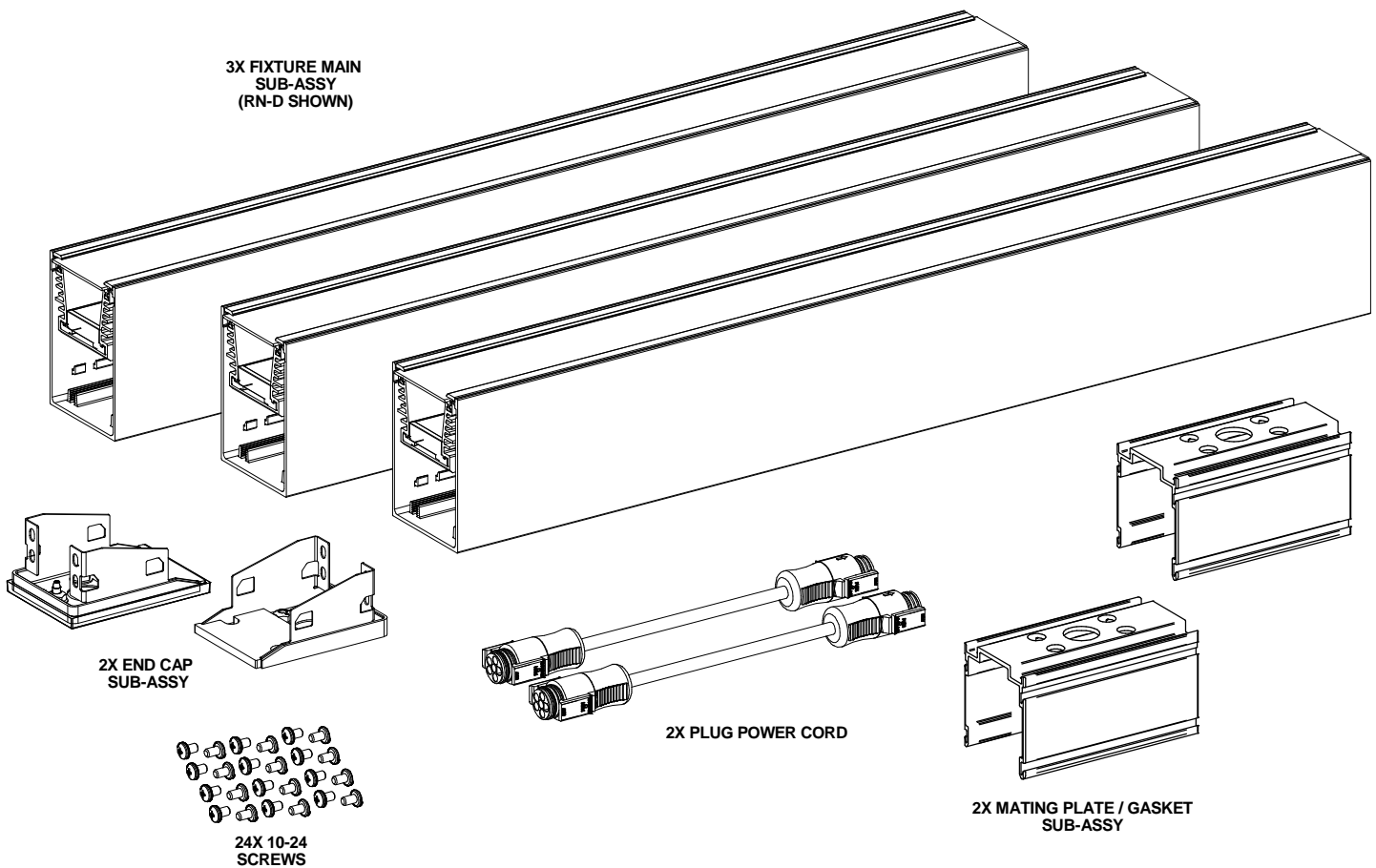
Fixture: RN-D PURSUIT™



WARNING: Fixtures must be grounded in accordance with local codes or the National Electrical Code. Failure to do so may result in serious personal injury.

MAINTENANCE: A regularly scheduled maintenance program should be established to retain optimum light output and reduce heat retention. Dusting with a soft, clean, dry cloth is normally sufficient for the optics.

CAUTION: All wiring must be done by a qualified electrician. KEEP THE INSTRUCTIONS FOR FUTURE REFERENCE.

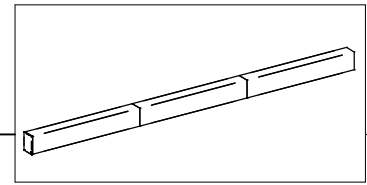


RECOMMENDED TOOLS (BY OTHERS):

- * Screw drivers (Philip / Blade) #2
- * Wire Stripper
- * Putty knife

FIXTURE ASSEMBLY
RECEIVED FROM THE FACTORY
(RN-D ASSY SHOWN)

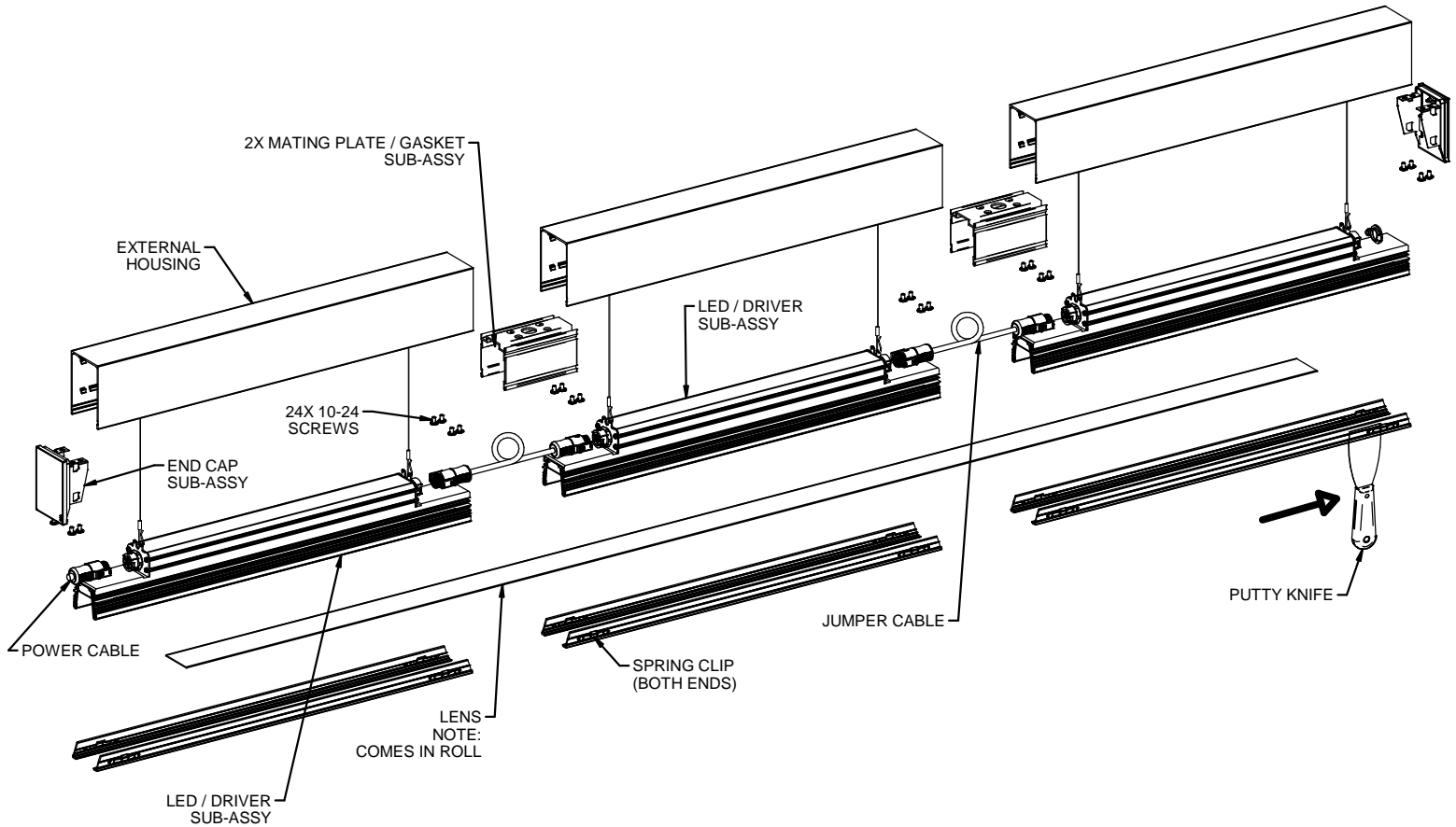
NOTE:
SHOW FOR REFERENCE.



FITTURE MATING

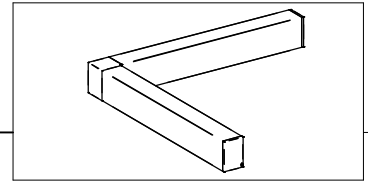
Mating Installation Instructions

Fixture: RN-D PURSUIT™



STEPS:

- 1) Turn off power to the unit and take proper safety precautions.
- 2) **For arm mounting option refer on the installation instructions # 93083863.**
- 3) **FIXTURE PREPARATION:**
 - a. Slide a putty knife under the side Latches to disengage the hidden spring clips and remove the Latches.
 - b. Pry the LED/DRIVER Sub-Assembly up, remove Safety Cables, disconnect Power Cable, and remove it from the External Housing.
- 4) **EXTERNAL HOUSING PREPARATION:**
 - a. Assemble External Housings together using Mating Plate / gasket sub-assy with 8X 10-24 screws. Install Mating Plate side with hole into first housing, screw it down, next mate it to the next housing. Note: for pendant mount remove stem knockout(s) from Mating Plate(s) prior to installation.
 - b. Install Endcap sub-assy to the both ends of External housings.
 - c. Pull the line Power Cable thru the mount if supplied separate.
 - d. Reattach the Safety Cables and connect the Jumper Cables to the LED/DRIVER Sub-Assemblies. Note, add a loop to Jumper Cable to assist with final LED/DRIVER installation.
 - e. Connect the Power Cable to LED/DRIVER Sub-Assembly.
 - f. Snap in all the LED/DRIVER Sub-Assemblies starting from one end.
 - g. Insert the end of Lens into first fixture and install the Latches to retain the Lens. For long runs leaving Lens spooled and only unspooling enough for each fixture at one time will aid with installation.
- 5) Turn on power and check for operation.
- 6) Installation complete.



L SHAPE ASSY

Mating Installation Instructions

Fixture: RN-D PURSUIT™

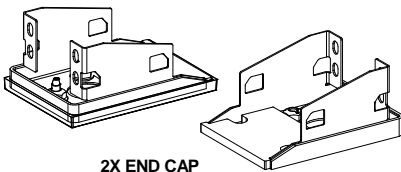
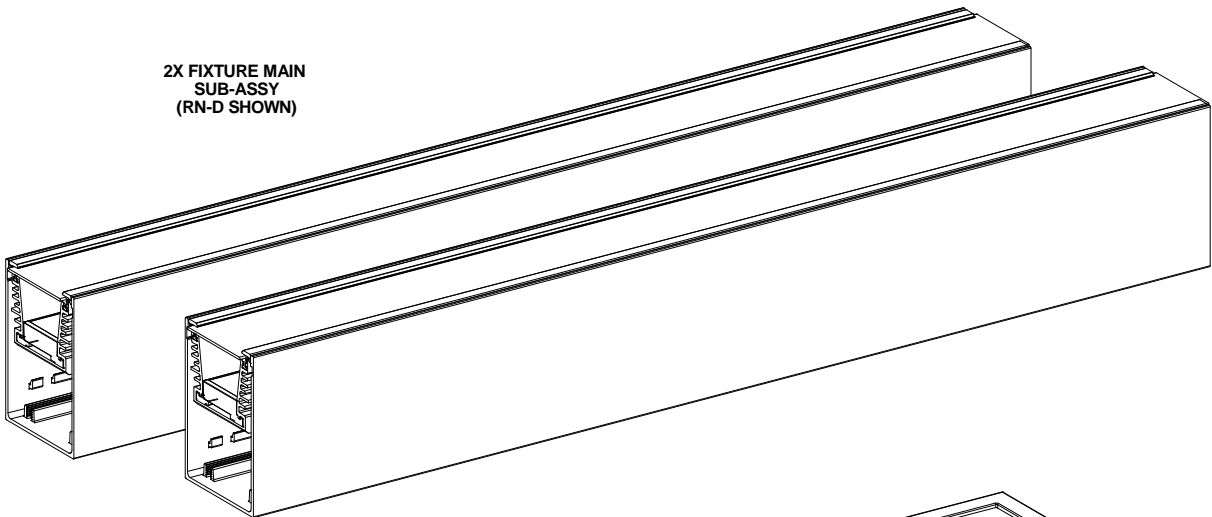


WARNING: Fixtures must be grounded in accordance with local codes or the National Electrical Code. Failure to do so may result in serious personal injury.

MAINTENANCE: A regularly scheduled maintenance program should be established to retain optimum light output and reduce heat retention. Dusting with a soft, clean, dry cloth is normally sufficient for the optics.

CAUTION: All wiring must be done by a qualified electrician. KEEP THE INSTRUCTIONS FOR FUTURE REFERENCE.

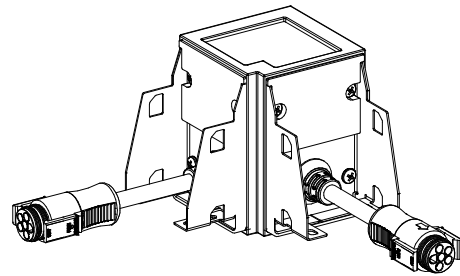
2X FIXTURE MAIN
SUB-ASSY
(RN-D SHOWN)



2X END CAP
SUB-ASSY



16X 10-24
SCREWS

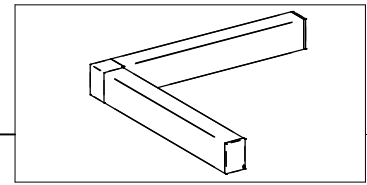


L-MODULE
SUB-ASSY

RECOMMENDED TOOLS (BY OTHERS):

- * Screw drivers (Philip / Blade) #2
- * Wire Stripper
- * Putty knife

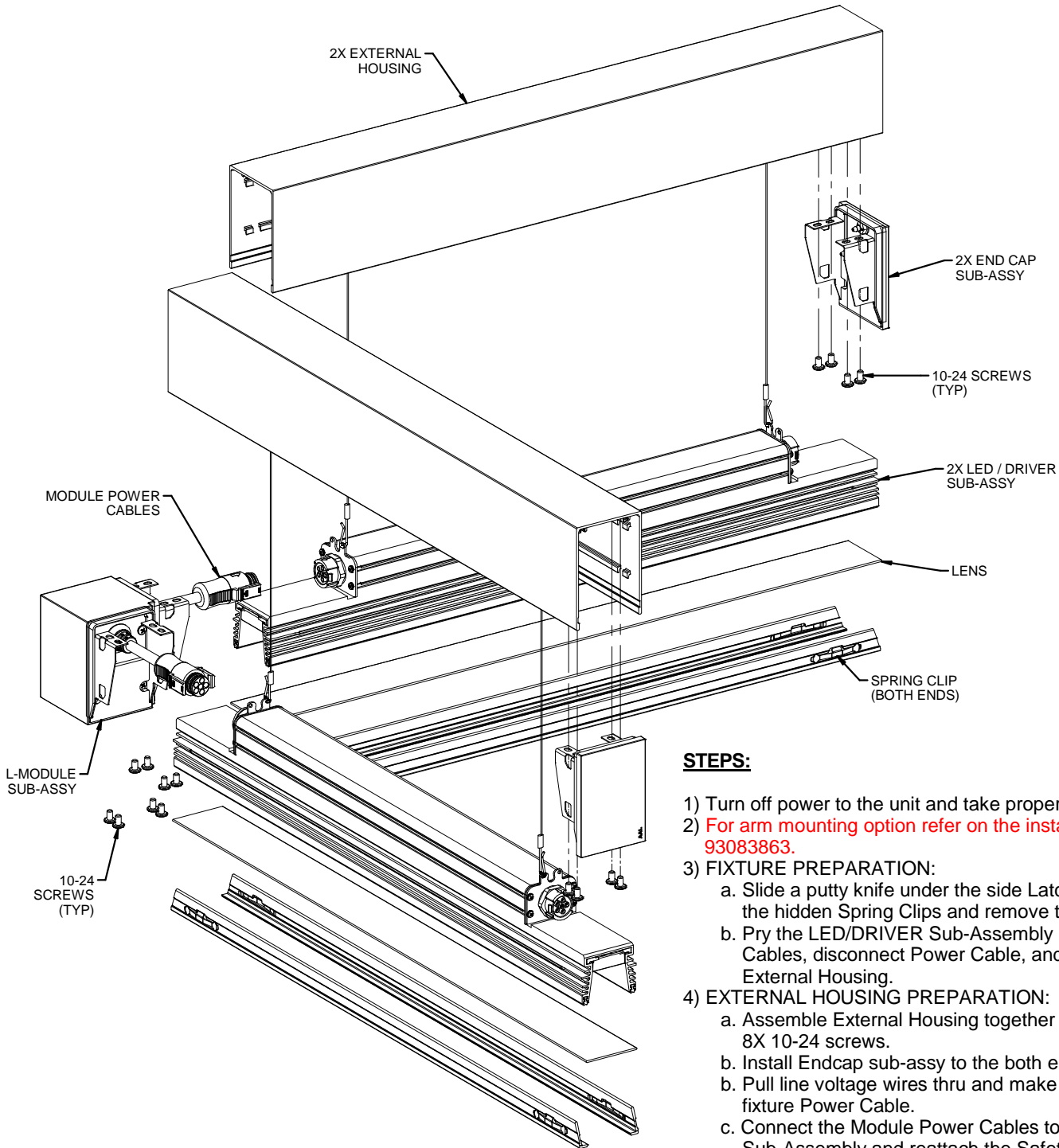
FIXTURE ASSEMBLY
RECEIVED FROM THE FACTORY
(RN-D ASSY SHOWN)



L SHAPE ASSY

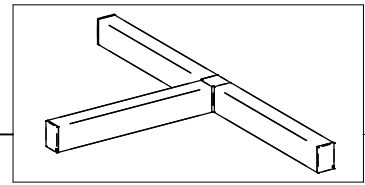
Mating Installation Instructions

Fixture: RN-D PURSUIT™



STEPS:

- 1) Turn off power to the unit and take proper safety precautions.
- 2) For arm mounting option refer on the installation instructions # 93083863.
- 3) FIXTURE PREPARATION:
 - a. Slide a putty knife under the side Latches to disengage the hidden Spring Clips and remove the Lathes.
 - b. Pry the LED/DRIVER Sub-Assembly up, remove Safety Cables, disconnect Power Cable, and remove it from the External Housing.
- 4) EXTERNAL HOUSING PREPARATION:
 - a. Assemble External Housing together with L-Module with 8X 10-24 screws.
 - b. Install Endcap sub-assy to the both ends.
 - c. Pull line voltage wires thru and make connection to the fixture Power Cable.
 - d. Connect the Module Power Cables to the LED/DRIVER Sub-Assembly and reattach the Safety Cables.
 - e. Connect the Power Cord to LED/DRIVER Sub-Assy.
 - f. Snap in the LED/DRIVER Sub-Assembly.
- 5) Turn on power and check for operation.
- 6) Installation complete.



T SHAPE ASSY

Mating Installation Instructions

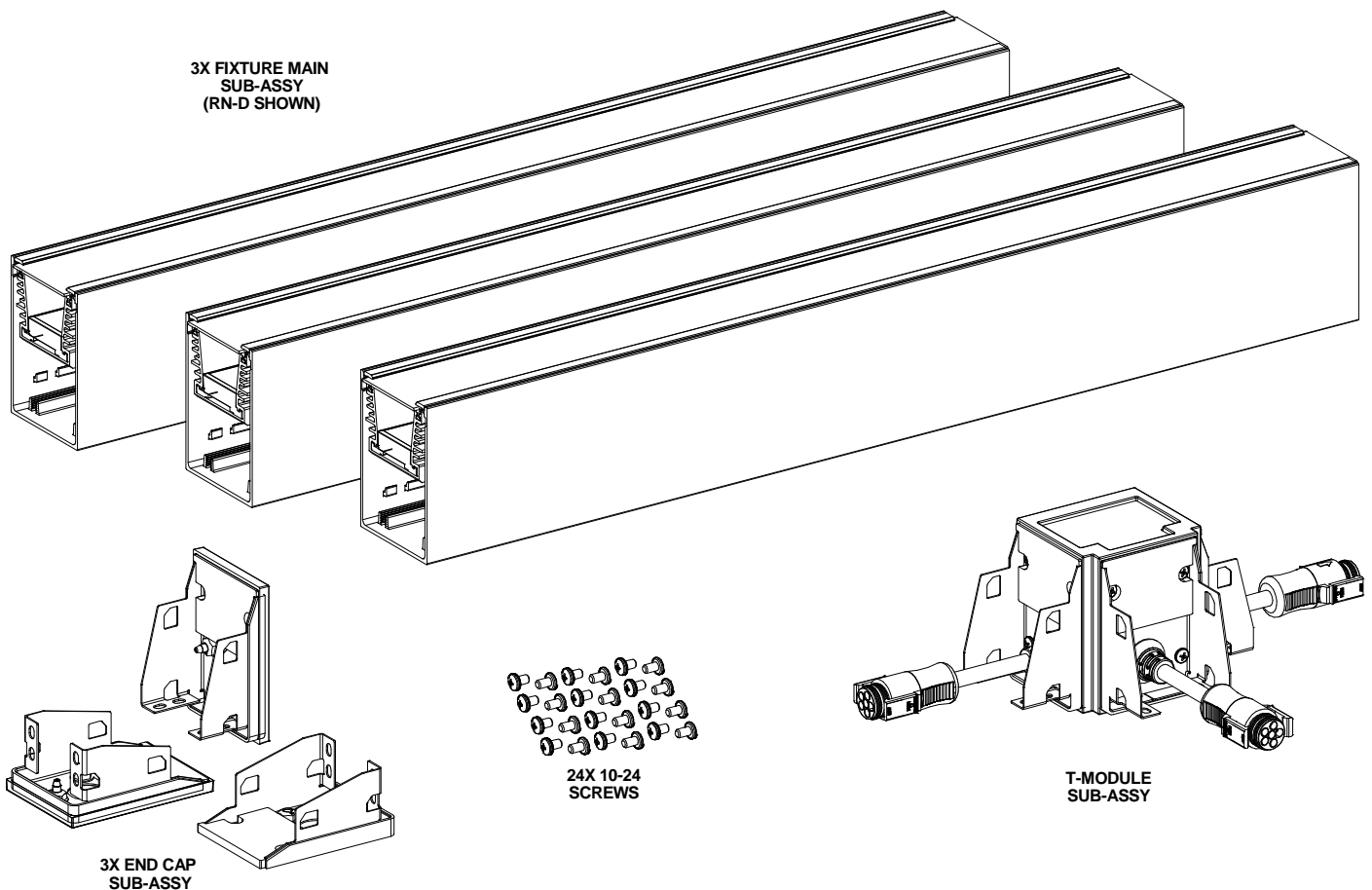
Fixture: RN-D PURSUIT™



WARNING: Fixtures must be grounded in accordance with local codes or the National Electrical Code. Failure to do so may result in serious personal injury.

MAINTENANCE: A regularly scheduled maintenance program should be established to retain optimum light output and reduce heat retention. Dusting with a soft, clean, dry cloth is normally sufficient for the optics.

CAUTION: All wiring must be done by a qualified electrician. KEEP THE INSTRUCTIONS FOR FUTURE REFERENCE.

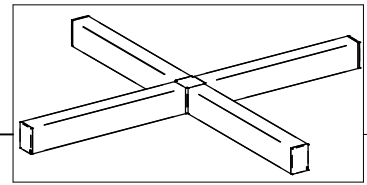


RECOMMENDED TOOLS (BY OTHERS):

- * Screw drivers (Philip / Blade) #2
- * Wire Stripper
- * Putty knife

FIXTURE ASSEMBLY
RECEIVED FROM THE FACTORY
(RN-D ASSY SHOWN)

NOTE:
REFERENCE pg. 7
FOR FIXTURE
SECTIONS ASSEMBLY



X SHAPE ASSY

Mating Installation Instructions

Fixture: RN-D PURSUIT™

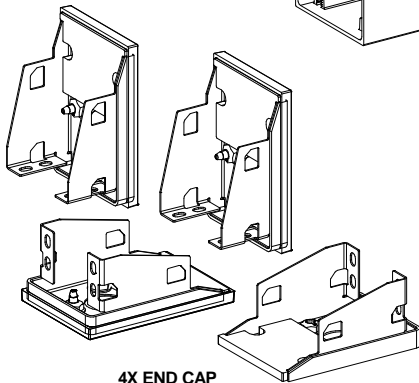
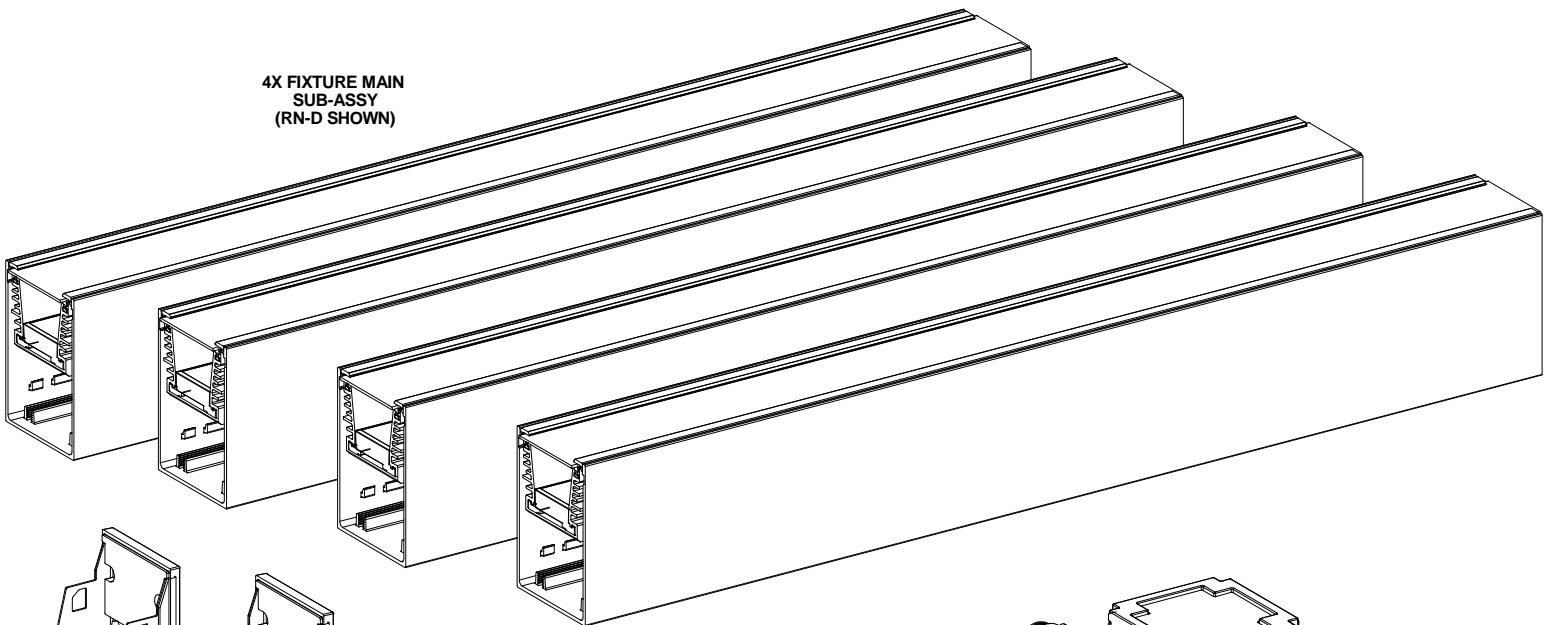


WARNING: Fixtures must be grounded in accordance with local codes or the National Electrical Code. Failure to do so may result in serious personal injury.

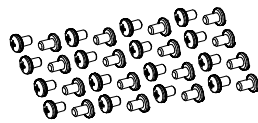
MAINTENANCE: A regularly scheduled maintenance program should be established to retain optimum light output and reduce heat retention. Dusting with a soft, clean, dry cloth is normally sufficient for the optics.

CAUTION: All wiring must be done by a qualified electrician. KEEP THE INSTRUCTIONS FOR FUTURE REFERENCE.

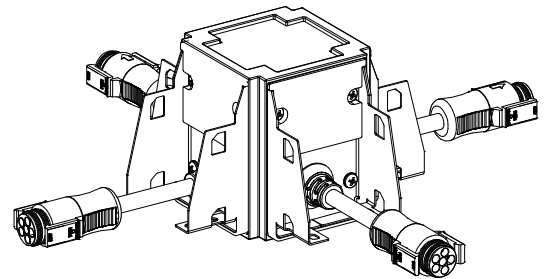
4X FIXTURE MAIN
SUB-ASSY
(RN-D SHOWN)



4X END CAP
SUB-ASSY



32X 10-24
SCREWS



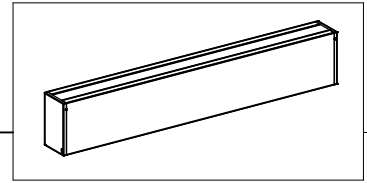
X-MODULE
SUB-ASSY

RECOMMENDED TOOLS (BY OTHERS):

- * Screw drivers (Philip / Blade) #2
- * Wire Stripper
- * Putty knife

FIXTURE ASSEMBLY
RECEIVED FROM THE FACTORY
(RN-D ASSY SHOWN)

NOTE:
REFERENCE pg. 7
FOR FIXTURE
SECTIONS ASSEMBLY



WIRE DIAGRAM

Mating Installation Instructions

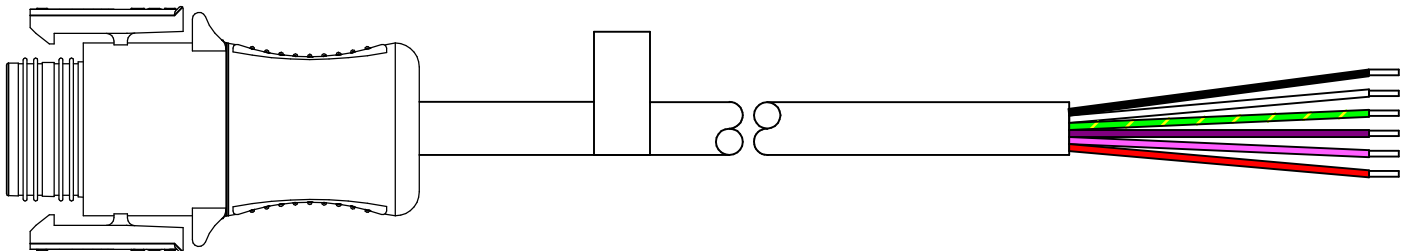
Fixture: RN-D PURSUIT™



WARNING: Fixtures must be grounded in accordance with local codes or the National Electrical Code. Failure to do so may result in serious personal injury.

MAINTENANCE: A regularly scheduled maintenance program should be established to retain optimum light output and reduce heat retention. Dusting with a soft, clean, dry cloth is normally sufficient for the optics.

CAUTION: All wiring must be done by a qualified electrician. KEEP THE INSTRUCTIONS FOR FUTURE REFERENCE.



WIRE COLORS

BLACK - LINE

WHITE - LOAD

GREEN/YELLOW - GROUND

VIOLET - DIM (+)

PINK - DIM (-)

RED - UNSWITCHED LINE (OPTIONAL EMERGENCY BATTERY)